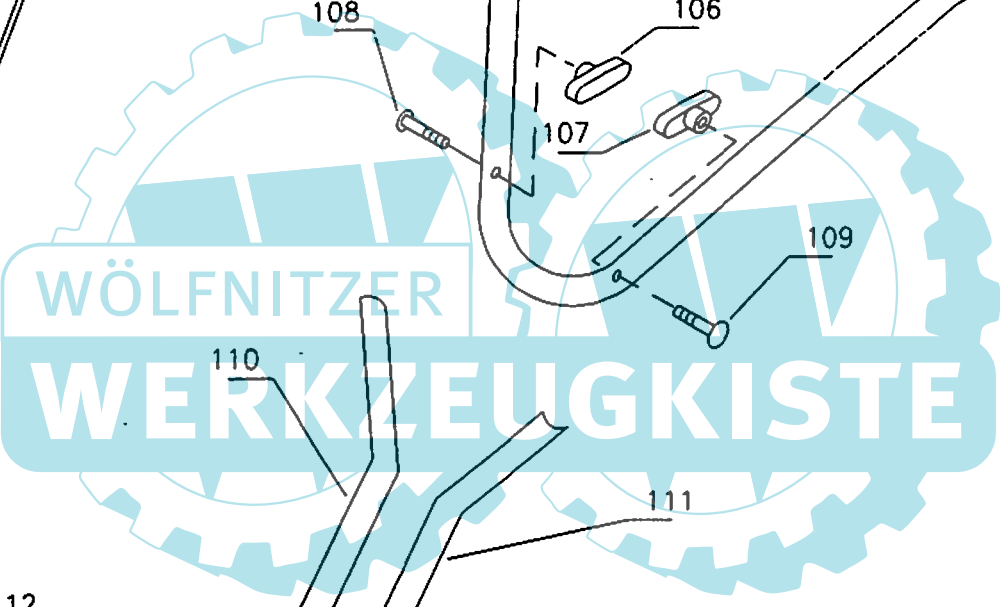
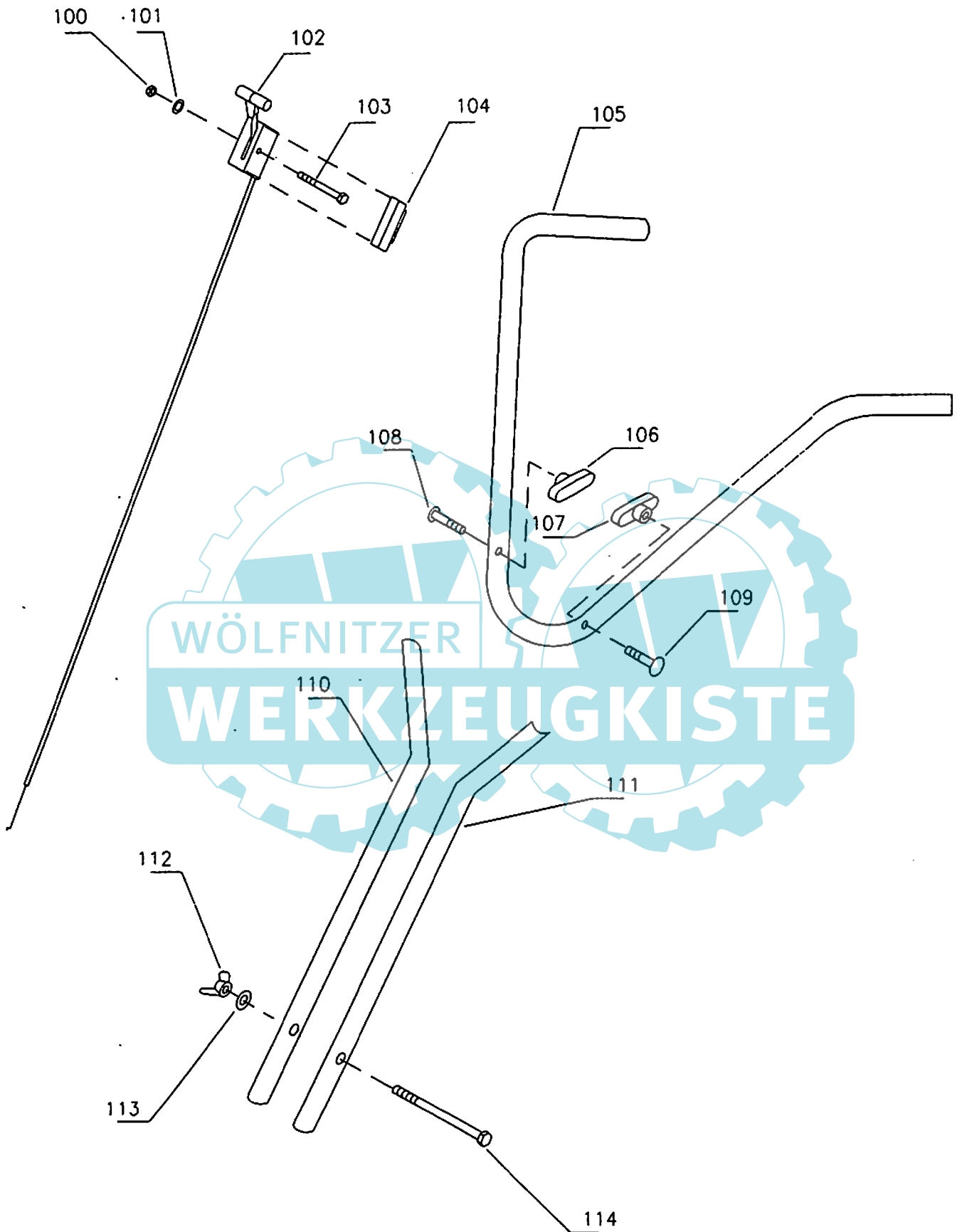
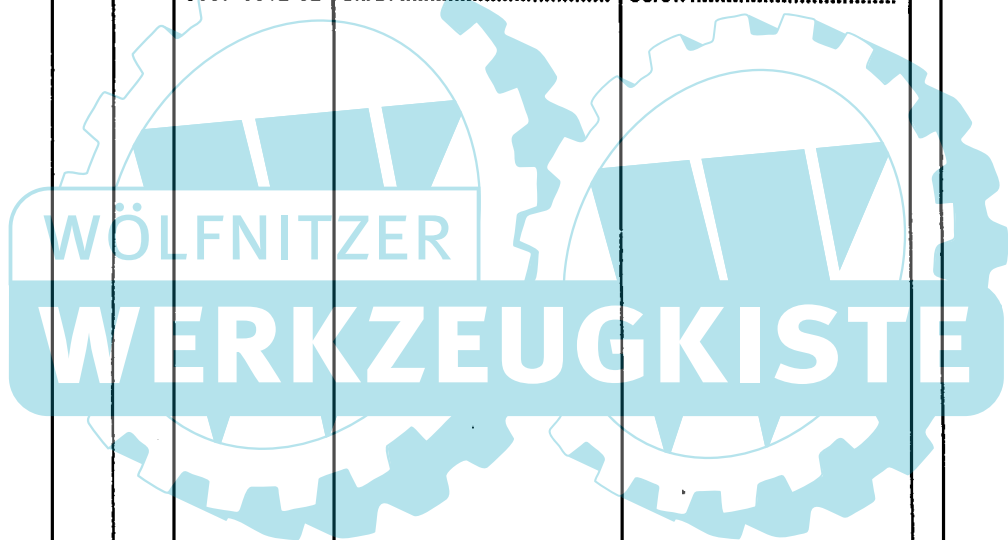
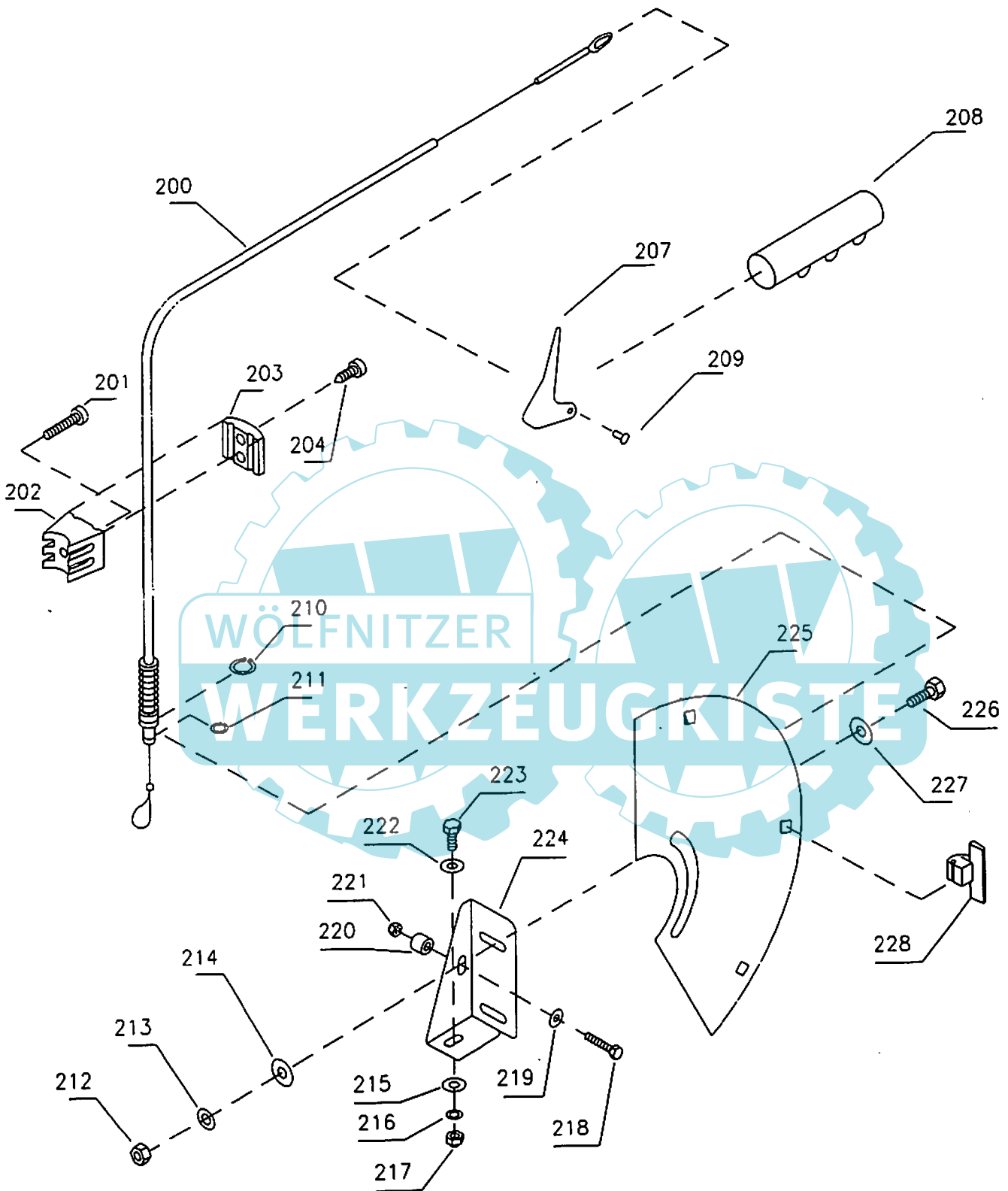


| Utgåva Issue 1997-14 | | Bildnr Picture No 754 | | JB 35 MOTOR SPÄNNRULLE | | JB 35 ENGINE BELT TENSIONER | | Sida Page 116 | |
|----------------------------|----------------|-----------------------------|--|------------------------------|------------------------|-----------------------------------|-------------|---------------------|--|
| Pos. Fig. | Antal/Quantity | | | Art nr Part No | Benämning | Description | Sats Kit | Anmärkning Notes | |
| | 1035 | | | | | | | | |
| 1 | 4 | | | 9997-0845-12 | Skruv | Screw | | | |
| 2 | 4 | | | 9699-0028-02 | Planbricka | Flat washer | | | |
| 3 | 4 | | | 9683-0030-02 | Låsbricka | Lock washer | | | |
| 4 | 4 | | | 9799-0831-02 | Mutter | Nut | | | |
| 7 | 1 | | | 1111-9029-01 | Tändstiftsnyckel | Spark plug wrench | | | |
| 8 | 1 | | | 1482-0656-01 | Värmeskydd | Heat protection | | | |
| 9 | 1 | | | 1482-0493-01 | Remsträckare kpl | Belt tensioner assy | | | |
| 10 | 1 | | | 1482-0781-01 | • Bussning | • Bushing | | | |
| 11 | 1 | | | 1482-0782-01 | • Spännarm | • Tension arm | | | |
| 12 | 1 | | | 9699-0028-02 | • Planbricka | • Flat washer | | | |
| 13 | 1 | | | 9683-0030-02 | • Låsbricka | • Lock washer | | | |
| 14 | 1 | | | 1482-0883-01 | • Skruv | • Screw | | | |
| 15 | 1 | | | 9799-1031-02 | • Mutter | • Nut | | | |
| 16 | 1 | | | 1482-0596-01 | • Bussning | • Bushing | | | |
| 17 | 1 | | | 1482-0550-01 | • Spännrulle | • Tension roller | | | |
| 18 | 1 | | | 9683-0040-02 | • Låsbricka | • Lock washer | | | |
| 19 | 1 | | | 9997-1025-16 | • Skruv | • Screw | | | |
| 20 | 2 | | | 9915-0808-15 | Stoppskruv | Set screw | | | |
| 21 | 1 | | | 1482-0040-01 | Kil | Key | | | |
| 22 | 1 | | | 1482-0488-01 | Kilremskiva | Belt pulley | | | |
| 23 | 1 | | | 9699-0028-02 | Planbricka | Flat washer | | | |
| 24 | 1 | | | 9683-0025-02 | Låsbricka | Lock washer | | | |
| 25 | 1 | | | 9799-0631-02 | Mutter | Nut | | | |
| 26 | 1 | | | 1482-0628-01 | Fjäderhållare | Spring retainer | | | |
| 27 | 1 | | | 1482-0535-01 | Fjäder | Spring | | | |
| 28 | 1 | | | 1482-0229-01 | Distansrör | Spacer | | | |
| 29 | 1 | | | 9898-0625-16 | Skruv | Screw | | | |
| 30 | 1 | | | 1482-0545-01 | Konsol | Bracket | | | |
| 31 | 1 | | | 9699-0028-02 | Planbricka | Flat washer | | | |
| 32 | 1 | | | 9683-0030-02 | Låsbricka | Lock washer | | | |
| 33 | 1 | | | 9987-5189-12 | Skruv | Screw | | | |

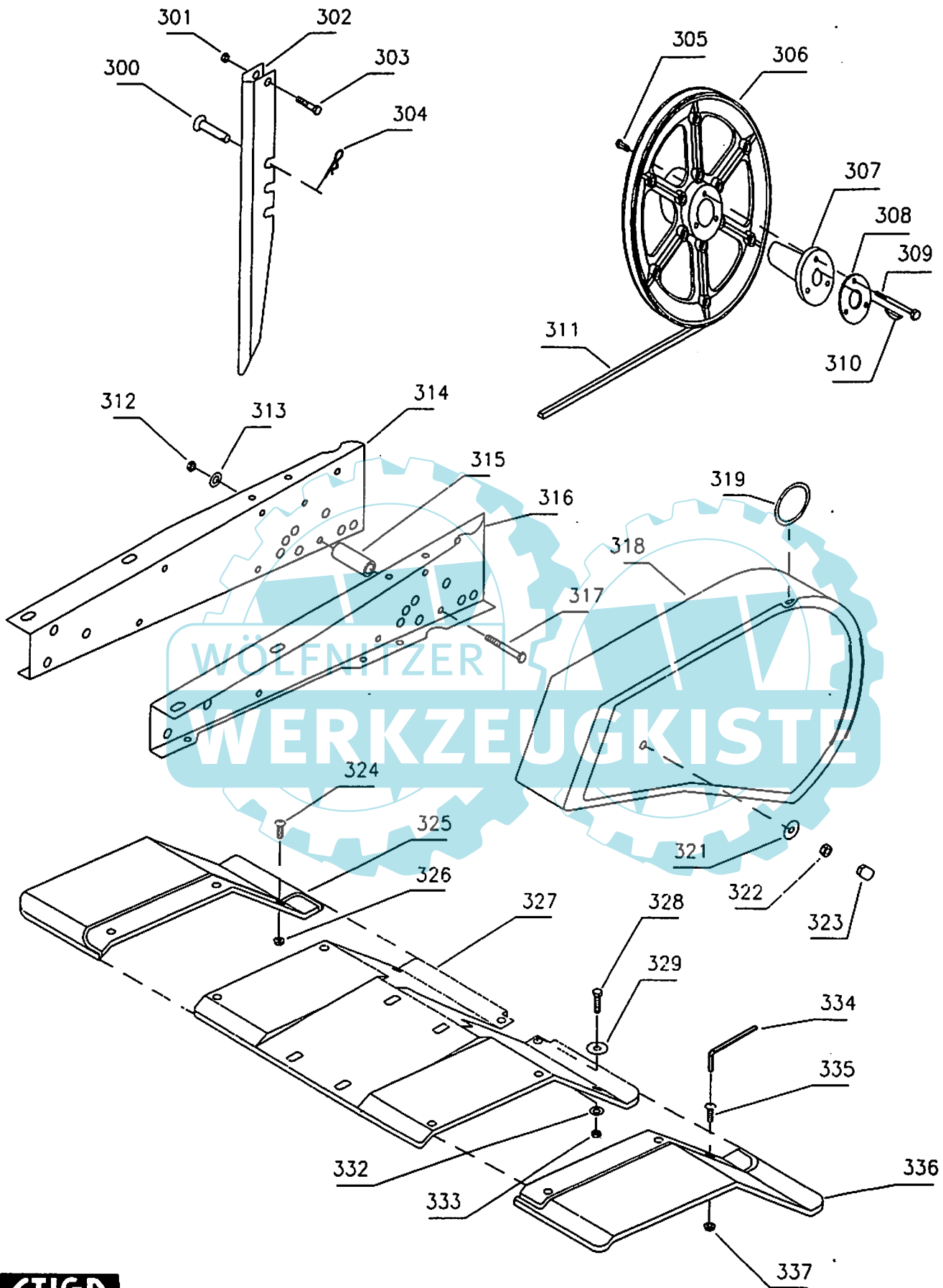


| Utgåva Issue | | Bildnr Picture No | | JB 35 STYRE | | JB 35 HANDLEBAR | | Sida Page | |
|-----------------|----------------|----------------------|--|-------------------|--------------------|------------------------|-------------|---------------------|--|
| 1997-14 | | 755 | | | | | | 118 | |
| Pos. Fig. | Antal/Quantity | | | Art nr Part No | Benämning | Description | Sats Kit | Anmärkning Notes | |
| | 1035 | | | | | | | | |
| 100 | 1 | | | 9799-0531-02 | Mutter..... | Nut..... | | | |
| 101 | 1 | | | 9683-0015-02 | Låsbricka..... | Lock washer..... | | | |
| 102 | 1 | | | 1482-0635-01 | Gasreglage..... | Throttle control..... | | | |
| 103 | 1 | | | 9997-0545-12 | Skruv..... | Screw..... | | | |
| 104 | 1 | | | 1482-0678-01 | Plastskydd..... | Plastic cover..... | | | |
| 105 | 1 | | | 1482-0789-01 | Styre-överdel..... | Handle-upper part..... | | | |
| 106 | 1 | | | 1482-0576-01 | Plastmutter..... | Plastic wing nut..... | | | |
| 107 | 1 | | | 1482-0576-01 | Plastmutter..... | Plastic wing nut..... | | | |
| 108 | 1 | | | 9898-0635-12 | Skruv..... | Screw..... | | | |
| 109 | 1 | | | 9898-0635-12 | Skruv..... | Screw..... | | | |
| 110 | 1 | | | 1482-0790-01 | Styrrör..... | Handle tube..... | | | |
| 111 | 1 | | | 1482-0790-01 | Styrrör..... | Handle tube..... | | | |
| 112 | 1 | | | 9751-0821-02 | Vingmutter..... | Wing nut..... | | | |
| 113 | 1 | | | 9683-0030-02 | Låsbricka..... | Lock washer..... | | | |
| 114 | 1 | | | 9997-0812-02 | Skruv..... | Screw..... | | | |

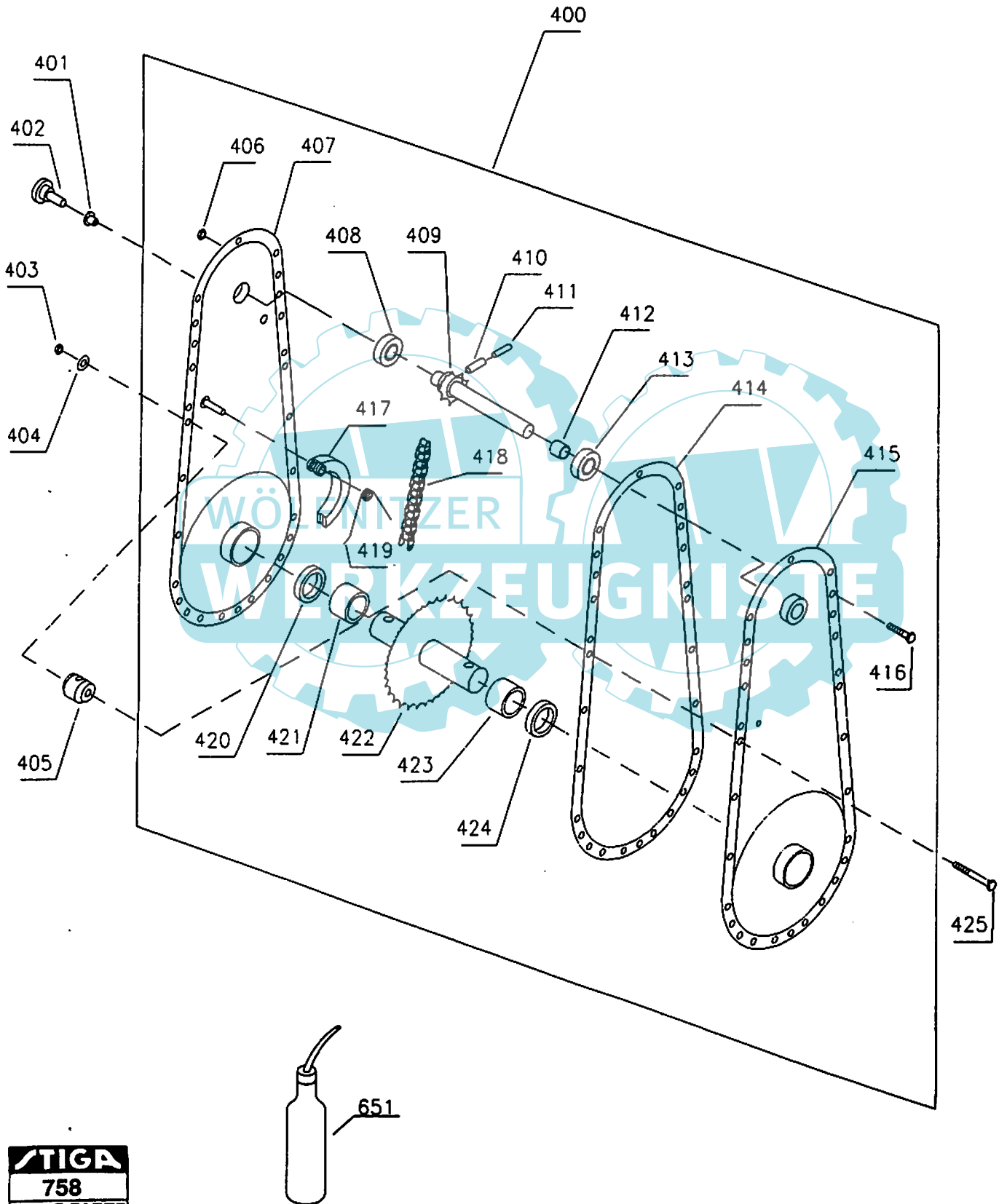




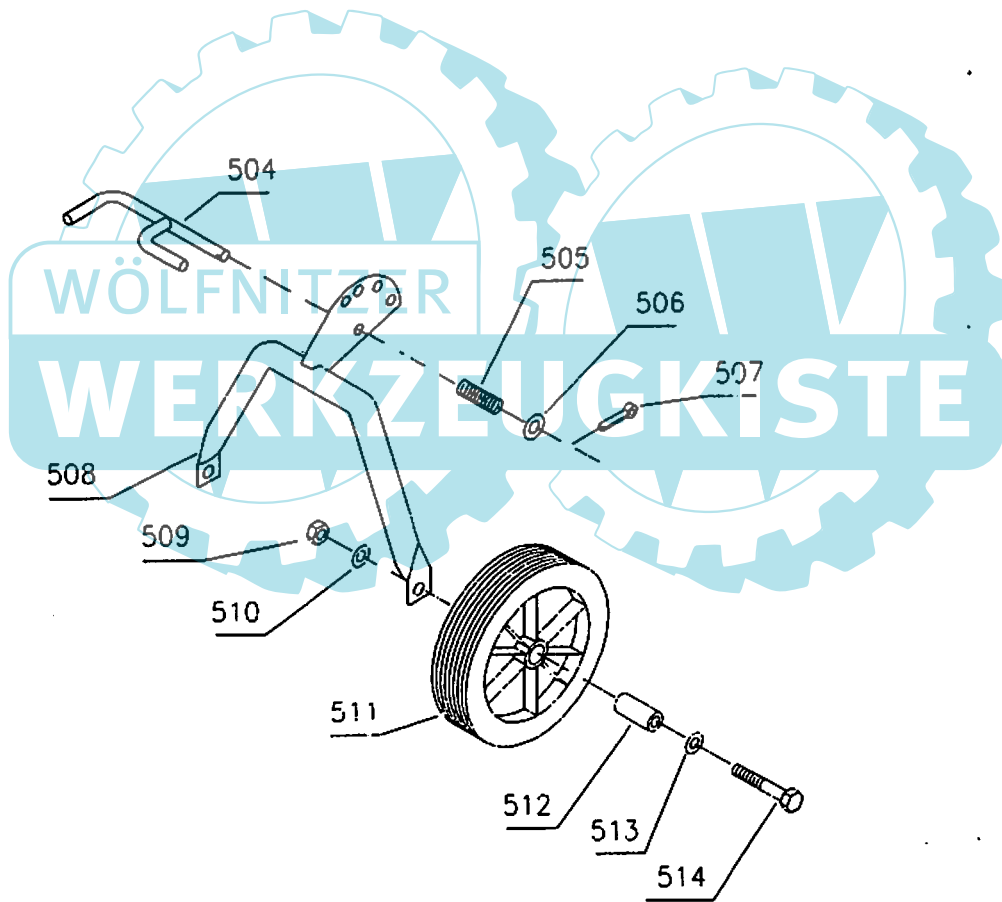
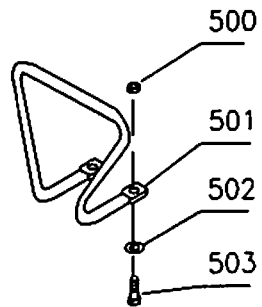
| Utgåva Issue | | Bildnr Picture No | | JB 35 KOPPLING | | JB 35 CLUTCH | | Sida Page | |
|-----------------|----------------|----------------------|--|-------------------|-------------------------|---------------------------|-------------|---------------------|--|
| 1997-14 | | 756 | | | | | | 120 | |
| Pos. Fig. | Antal/Quantity | | | Art nr Part No | Benämning | Description | Sats Kit | Anmärkning Notes | |
| | 1035 | | | | | | | | |
| 200 | 1 | | | 1482-0603-01 | Kopplingswire-fram..... | Clutch cable-forward..... | | | |
| 201 | 1 | | | 1482-0566-01 | Skruv..... | Screw..... | | | |
| 202 | 1 | | | 1482-0595-01 | Kabelkloss..... | Cable holder..... | | | |
| 203 | 1 | | | 1482-0594-01 | Spännplatta..... | Plate,cable holder..... | | | |
| 204 | 2 | | | 1482-0571-01 | Skruv..... | Screw..... | | | |
| 207 | 1 | | | 1482-0661-01 | Kopplingshandtag..... | Clutch handle..... | | | |
| 208 | 2 | | | 1482-0575-01 | Handtag..... | Handle grip..... | | | |
| 209 | 1 | | | 1482-0525-01 | Nit..... | Rivet..... | | | |
| 210 | 1 | | | 9650-0016-04 | Seegersäkring..... | Circlip..... | | | |
| 211 | 1 | | | 9650-0010-04 | Seegersäkring..... | Circlip..... | | | |
| 212 | 2 | | | 9799-0631-02 | Mutter..... | Nut..... | | | |
| 213 | 2 | | | 9683-0025-02 | Låsbricka..... | Lock washer..... | | | |
| 214 | 2 | | | 9699-0025-02 | Planbricka..... | Flat washer..... | | | |
| 215 | 1 | | | 9699-0025-02 | Planbricka..... | Flat washer..... | | | |
| 216 | 1 | | | 9683-0025-02 | Låsbricka..... | Lock washer..... | | | |
| 217 | 1 | | | 9799-0631-02 | Mutter..... | Nut..... | | | |
| 218 | 1 | | | 9997-0522-16 | Skruv..... | Screw..... | | | |
| 219 | 1 | | | 9699-0024-02 | Planbricka..... | Flat washer..... | | | |
| 220 | 1 | | | 1482-0503-01 | Bussning..... | Bushing..... | | | |
| 221 | 1 | | | 9747-0531-02 | Mutter..... | Nut..... | | | |
| 222 | 1 | | | 9699-0025-02 | Planbricka..... | Flat washer..... | | | |
| 223 | 1 | | | 9997-0616-16 | Skruv..... | Screw..... | | | |
| 224 | 1 | | | 1482-0626-01 | Vinkel..... | Angle..... | | | |
| 225 | 1 | | | 1482-0793-01 | Skärm-bakre..... | Sheet-rear..... | | | |
| 226 | 2 | | | 9997-0616-16 | Skruv..... | Screw..... | | | |
| 227 | 2 | | | 9699-0025-02 | Planbricka..... | Flat washer..... | | | |
| 228 | 3 | | | 1482-0579-01 | Remskyddshållare..... | Belt guard retainer..... | | | |



| Utgåva Issue | | Bildnr Picture No | | JB 35 REMSKIVA | JB 35 BELT PULLEY | Sida Page | | |
|-----------------|----------------|----------------------|--|-------------------|----------------------|-----------------------|-------------|---------------------|
| 1997-14 | | 757 | | | | 122 | | |
| Pos. Fig. | Antal/Quantity | | | Art nr Part No | Benämning | Description | Sats Kit | Anmärkning Notes |
| | 1035 | | | | | | | |
| 300 | 1 | | | 1482-0041-00 | Sprint..... | Pin | | |
| 301 | 1 | | | 9799-0631-02 | Mutter..... | Nut | | |
| 302 | 1 | | | 1482-0666-01 | Bromssporre | Depth skid | | |
| 303 | 1 | | | 9997-0635-12 | Skruv | Screw | | |
| 304 | 1 | | | 9598-0002-02 | Låsnål | Spring pin | | |
| 305 | 3 | | | 1482-0697-01 | Mutter..... | Nut | | |
| 306 | 1 | | | 1482-0703-01 | Remhjul | Ground wheel | | |
| 307 | 1 | | | 1482-0702-01 | Centrumkon..... | Cone..... | | |
| 308 | 1 | | | 1482-0700-01 | Bricka | Washer..... | | |
| 309 | 3 | | | 1482-0696-01 | Skruv | Bolt | | |
| 310 | 1 | | | 9600-0016-00 | Woodruffkil..... | Key | | |
| 311 | 1 | | | 1482-9001-01 | Kilrem | V-belt | | = 9585-0019-00 |
| 312 | 2 | | | 9799-0631-02 | Mutter..... | Nut | | |
| 313 | 2 | | | 9683-0025-02 | Låsbricka | Lock washer | | |
| 314 | 1 | | | 1482-0791-01 | Ram-hö | Member-R.H. | | |
| 315 | 2 | | | 1482-0501-01 | Distans | Spacer | | |
| 316 | 1 | | | 1482-0792-01 | Ram-vä | Member-L.H. | | |
| 317 | 2 | | | 9997-0635-12 | Skruv | Screw | | |
| 318 | 1 | | | 1482-0682-01 | Remskydd | Belt guard | | |
| 319 | 2 | | | 1482-0580-01 | O-ring | O-ring | | |
| 321 | 1 | | | 9699-0025-02 | Planbricka..... | Flat washer..... | | |
| 322 | 1 | | | 9799-0631-02 | Mutter..... | Nut | | |
| 323 | 1 | | | 1482-0674-01 | Mutterhatt..... | Nut guard | | |
| 324 | 3 | | | 9865-0512-16 | Skruv | Screw | | |
| 325 | 1 | | | 1482-0638-01 | Plastskärm-hö | Outer sheet-R.H. | | |
| 326 | 3 | | | 9739-0631-22 | Mutter..... | Nut | | |
| 327 | 1 | | | 1482-0794-01 | Skärm | Sheet | | |
| 328 | 2 | | | 9997-0616-16 | Skruv | Screw | | |
| 329 | 2 | | | 9699-0025-02 | Planbricka..... | Flat washer..... | | |
| 332 | 2 | | | 9683-0025-02 | Låsbricka | Lock washer..... | | |
| 333 | 2 | | | 9799-0631-02 | Mutter..... | Nut | | |
| 334 | 1 | | | 1482-0672-01 | Torx nyckel | Torx spanner..... | | |
| 335 | 3 | | | 9865-0512-16 | Skruv | Screw | | |
| 336 | 1 | | | 1482-0639-01 | Plastskärm-vä..... | Outer sheey-L.H. | | |
| 337 | 3 | | | 9739-0631-22 | Mutter..... | Nut | | |

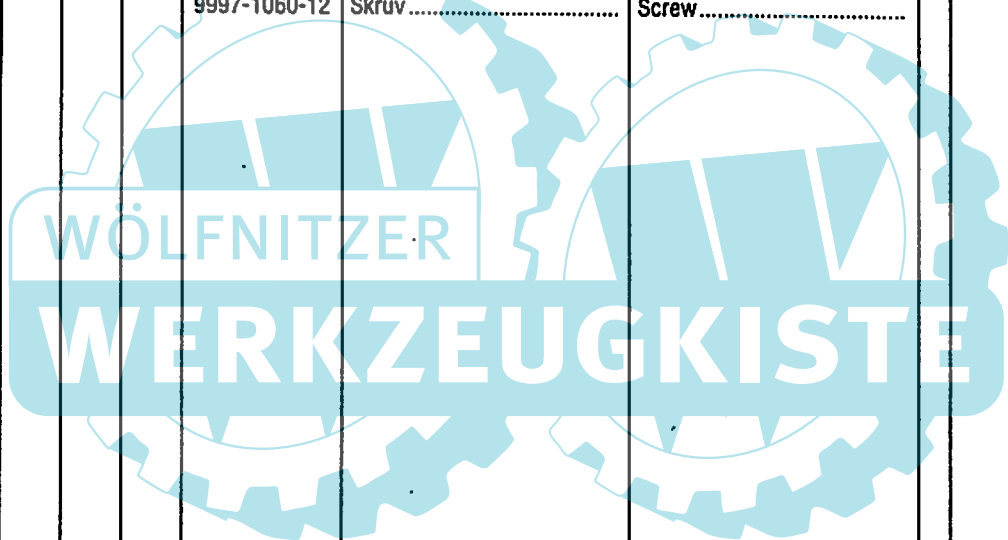


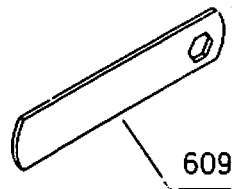
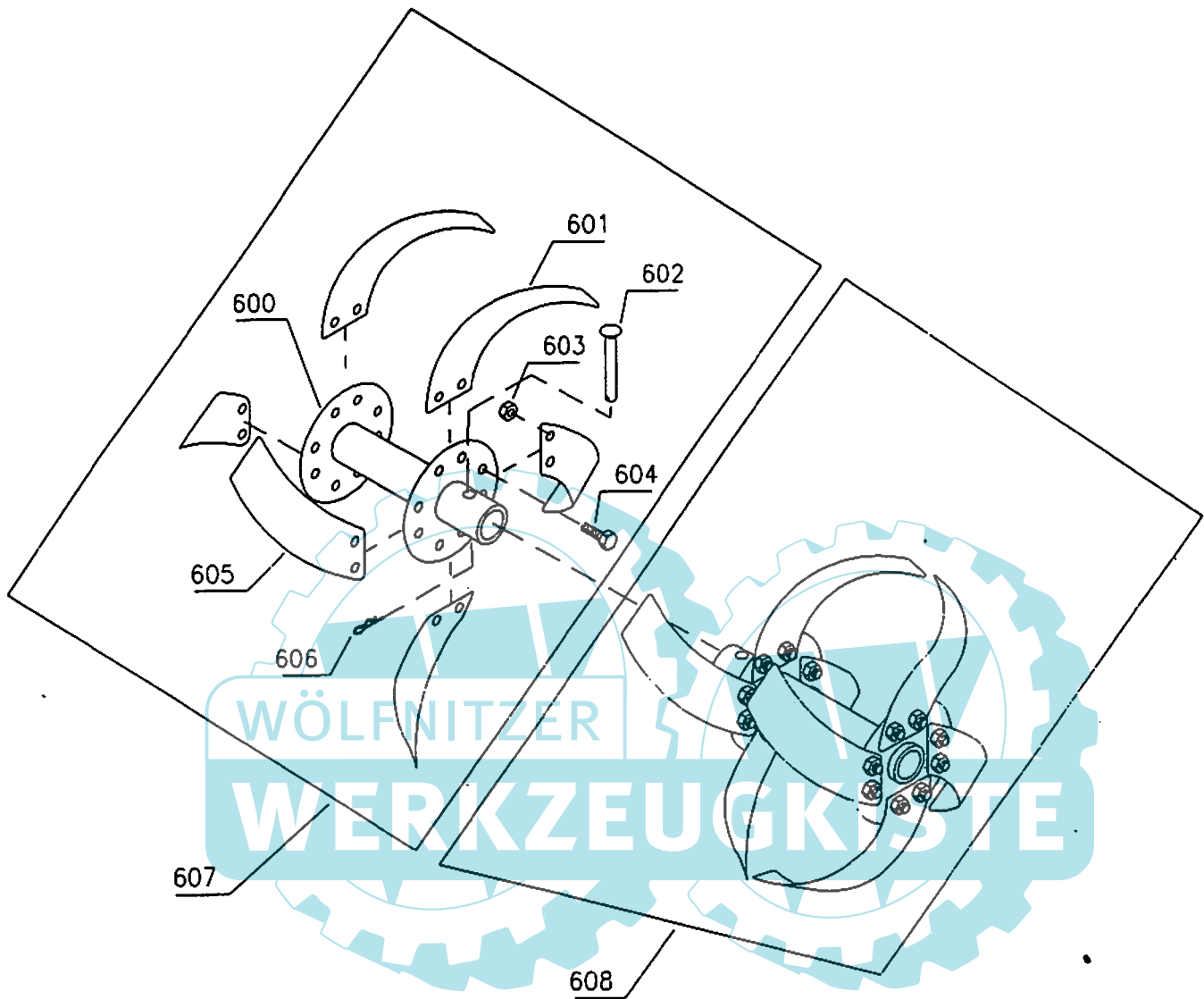
| Utgåva Issue | | Bildnr Picture No | | JB 35 KEDJEHUS | JB 35 CHAIN CASE | Sida Page | | |
|-----------------|----------------|----------------------|--|-------------------|----------------------------|-----------------------------|-------------|---------------------|
| Pos. Fig. | Antal/Quantity | | | Art nr Part No | Benämning | Description | Sats Kit | Anmärkning Notes |
| | 1035 | | | | | | | |
| 400 | 1 | | | 1482-0788-01 | Växelhus kpl | Chain case assy | | |
| 401 | 1 | | | 1482-0554-01 | Bussning | Bushing | | |
| 402 | 1 | | | 1482-0248-01 | Oljepåfyllningsplugg | Oilplug | | |
| 403 | 4 | | | 9799-0631-02 | Mutter | Nut | | |
| 404 | 4 | | | 9683-0025-02 | Låsbricka | Lock washer | | |
| 405 | 4 | | | 1482-0677-01 | Bussning | Mounting bush | | |
| 406 | 24 | | | 9799-0531-02 | • Mutter | • Nut | | |
| 407 | 1 | | | 1482-0668-01 | • Kedjehushalva-hö | • Chain case-R.H. | | |
| 408 | 1 | | | 9549-0017-00 | • Kullager | • Ball bearing | | |
| 409 | 1 | | | 1482-0631-01 | • Ingående axel | • Shaft w.sprocket | | |
| 410 | 1 | | | 1482-0607-01 | • Stift-yttre | • Pin-outer | | |
| 411 | 1 | | | 1482-0606-01 | • Stift-inre | • Pin-inner | | |
| 412 | 1 | | | 1482-0632-01 | • Bussning | • Bushing | | |
| 413 | 1 | | | 9549-0017-00 | • Kullager | • Ball bearing | | |
| 414 | 1 | | | 1482-0633-01 | • Packning | • Gasket | | |
| 415 | 1 | | | 1482-0669-01 | • Kedjehushalva-vä | • Chain case-L.H. | | |
| 416 | 1 | | | 9997-0510-16 | • Skruv | • Screw | | |
| 417 | 1 | | | 1482-0630-01 | • Kedjesträckare | • Chain tensioner | | |
| 418 | 1 | | | 1482-0514-01 | • Kedja | • Chain | | |
| 419 | 1 | | | 1482-0629-01 | • Fjäder | • Spring | | |
| 420 | 1 | | | 1482-0214-01 | • Tätningsring | • Seal | | |
| 421 | 1 | | | 1482-0485-01 | • Nållager | • Needle bearing | | |
| 422 | 1 | | | 1482-0513-01 | • Drivaxel | • Drive shaft | | |
| 423 | 1 | | | 1482-0485-01 | • Nållager | • Needle bearing | | |
| 424 | 1 | | | 1482-0214-01 | • Tätningsring | • Seal | | |
| 425 | 4 | | | 9997-0635-12 | Skruv | Screw | | |
| 651 | 1 | | | 1482-0536-01 | Växelhusolja (0.5 l) | Gear case oil (0.5 l) | | Texaco Multifak |



| | | | | |
|----------------------------|-----------------------------|-------------------|------------------------|---------------------|
| Utgåva Issue 1997-14 | Bildnr Picture No 759 | JB 35 STÖDHJUL | JB 35 SUPPORT WHEEL | Sida Page 126 |
|----------------------------|-----------------------------|-------------------|------------------------|---------------------|

| Pos. Fig. | Antal/Quantity | | | Art nr Part No | Benämning | Description | Sats Kit | Anmärkning Notes |
|--------------|----------------|--|--|-------------------|-----------------------|-----------------------|-------------|---------------------|
| | | | | | | | | |
| | 1035 | | | | | | | |
| 500 | 2 | | | 9799-0631-02 | Mutter..... | Nut..... | | |
| 501 | 1 | | | 1482-0667-01 | Lyfthandtag | Lift handle | | |
| 502 | 2 | | | 9683-0025-02 | Låsbricka | Lock washer..... | | |
| 503 | 2 | | | 9997-0616-16 | Skruv..... | Screw..... | | |
| 504 | 1 | | | 1482-0618-01 | Lås f.hjulbygel | Wheel fork lock | | |
| 505 | 1 | | | 1482-0619-01 | Fjäder..... | Spring | | |
| 506 | 1 | | | 9699-0035-02 | Planbricka..... | Flat washer..... | | |
| 507 | 1 | | | 9599-0071-02 | Saxsprint | Split pin..... | | |
| 508 | 1 | | | 1482-0691-01 | Stödhjulsbygel..... | Wheel fork..... | | |
| 509 | 2 | | | 9799-1031-02 | Mutter..... | Nut..... | | |
| 510 | 2 | | | 9683-0040-02 | Låsbricka | Lock washer..... | | |
| 511 | 2 | | | 1482-0526-01 | Stödhjul | Support wheel..... | | |
| 512 | 2 | | | 1482-0521-01 | Hjulbussning | Wheel bushing | | |
| 513 | 2 | | | 9699-0035-02 | Planbricka..... | Flat washer..... | | |
| 514 | 2 | | | 9997-1060-12 | Skruv..... | Screw..... | | |





| Utgåva Issue | | Bildnr Picture No | | JB 35 ROTORER | | JB 35 ROTORS | | Sida Page | |
|-----------------|----------------|----------------------|--|-------------------|---------------------|---------------------|-------------|---------------------|--|
| 1997-14 | | 760 | | | | | | 128 | |
| Pos. Fig. | Antal/Quantity | | | Art nr Part No | Benämning | Description | Sats Kit | Anmärkning Notes | |
| | 1035 | | | | | | | | |
| 600 | 2 | | | 1482-0519-01 | • Rotorrör..... | • Rotor tube..... | | | |
| 601 | 8 | | | 1482-0490-01 | • Rotorblad-vä..... | • Blade-L.H..... | | | |
| 602 | 2 | | | 1482-0041-00 | • Sprint..... | • Pin..... | | | |
| 603 | 32 | | | 9794-5231-02 | • Mutter..... | • Nut..... | | | |
| 604 | 32 | | | 9987-5222-16 | • Skruv..... | • Screw..... | | | |
| 605 | 8 | | | 1482-0489-01 | • Rotorblad-hö..... | • Blade-R.H..... | | | |
| 606 | 2 | | | 9598-0002-02 | • Låsnål..... | • Spring pin..... | | | |
| 607 | 1 | | | 1482-0491-01 | Rotor kpl-hö..... | Rotor assy-R.H..... | | | |
| 608 | 1 | | | 1482-0492-01 | Rotor kpl-vä..... | Rotor assy-L.H..... | | | |
| 609 | 1 | | | 1482-0835-01 | Knivnyckel..... | Wrench..... | | | |

